

Stecamat 821

Processor-controlled charger for lead-acid batteries

The battery charger Stecamat 821 is available in a light, compact housing. The processor-controlled charging process ensures gentle and rapid charging of the battery. For individual adjustment of current, voltage, time and the ideal monitoring of the battery, the Stecamat 821 battery charger has a selection of preset battery profiles and the option of entering new battery profiles. The Stecamat 821 also enables the processing of damaged or totally discharged batteries, ensuring long service life. A backlit display provides rapid information on the state of charge. The wide range of features make for high flexibility of use. This and the easy handling of the device make for trouble-free operation.



Quality made
in Germany

Product features

- Besides preset battery profiles there is the option of entering new battery profiles
- Half the charging time compared to simple, non-controlled chargers with the same rated current
- Optimal for charging batteries with liquid electrolyte and gel / absorbed electrolyte (AGM)
- Adjustable rated capacity determines the charging current
- Suitable for totally discharged batteries
- Constant battery operational readiness through integrated trickle charge
- Ready for operation in just a few minutes
- Charging below the gassing voltage
- Optimal charging of damaged batteries

Electronic protection functions

- Protection in the case of wrong or damaged batteries
- Battery overcharge protection
- Charger output protected against short circuits, reverse polarity and overvoltage

Displays

- Multifunction graphical LC display with backlighting
- for voltage, current, charged capacity, charging phase, menu

Operation

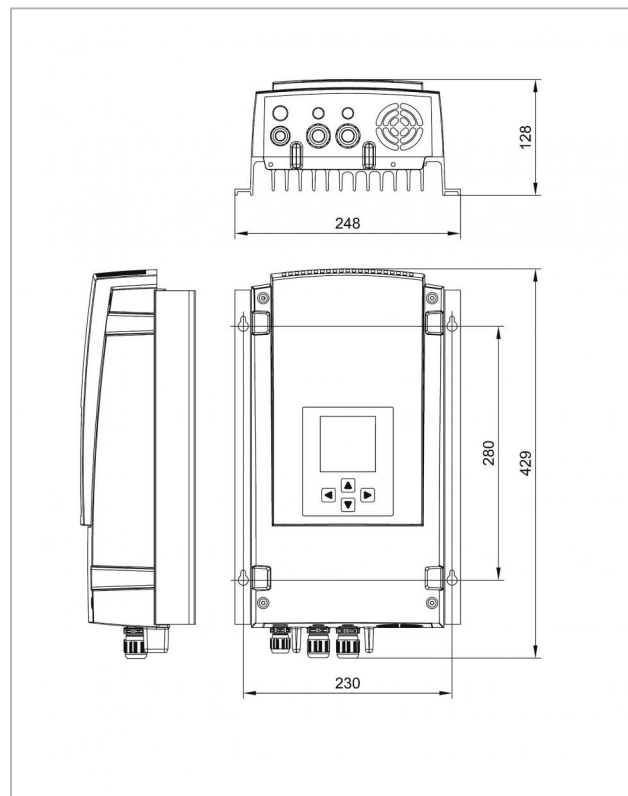
- Four cursor buttons for menu selection

Interfaces

- Control contact for ventilation control system in accordance with DIN EN 50272

Options

- IO box with mains plug and relay for ventilator control



	821-12	821-24	821-48
Charging rated voltage	12 V	24 V	48 V
Charge current	50 A	35 A	18 A
End-of-charge voltage	14.4 V	28.8 V	57.6 V
Trickle charge voltage	13.8 V	27.6 V	55.2 V
Characteristic curve	UoIUoIU		
Grid voltage	230 V AC $\pm 10\%$		
Frequency	50 Hz (45 Hz ... 65 Hz)		
Mains electricity (230 V)	3.7 A	5.5 A	5.5 A
Discharge current during grid failure	1.0 mA		
Protection class	I		
Casing	plastic		
Degree of protection	IP 20		
Ambient temperature	-20 °C ... +60 °C		
Cooling principle	regulated fan		
Dimensions (X x Y x Z)	248 x 429 x 128 mm		
Weight	6.0 kg		